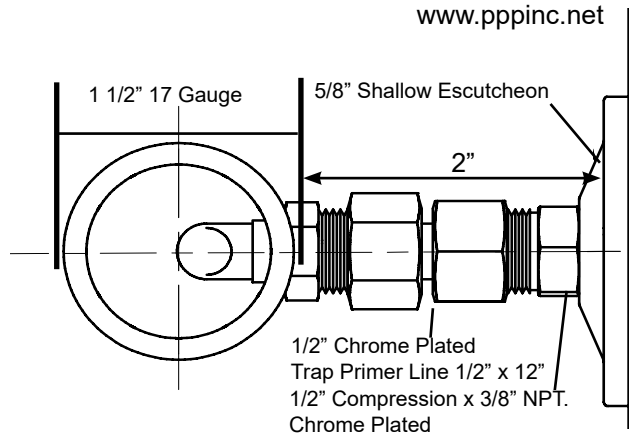
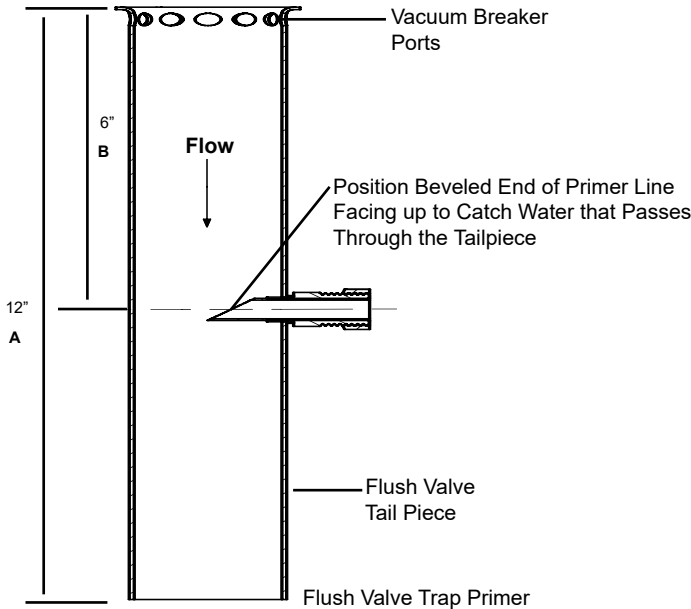




**Precision Plumbing Products**  
*"Specify with Confidence - Install with Pride"*

**FLUSH VALVE INSTALLATION/SUBMITTAL  
 CHROME PLATED ASSEMBLY**



www.pppinc.net

**INSTALLATION - ROUGH-IN DIMENSIONS**  
 Part No. FVP-1VB (w/vacuum breaker)

NOTE: A & B dimensions will vary depending upon flush valve head used.

NOTE: Flush Valve Primer is intended for use with water closets consuming 3.5 to 1.0 gal/flush.

NOTE: Priming Tube may be cut off to adjust for the rough-in of a fresh water make-up line to floor drain trap. Average discharge per flush at 50 PSI is 3.86 oz.

The furthest recommended distance of make-up line is 20' to the floor drain.

Manufacturer recommends trap primer make-up line to the P-Trap must have continuous slope (Consult Local Code Requirements).

**PROJECT SUBMITTAL**

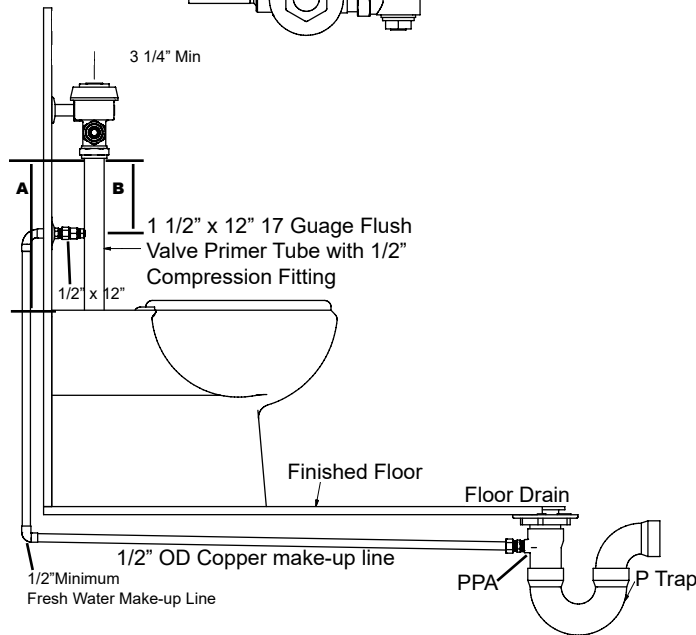
Project: \_\_\_\_\_

Contractor: \_\_\_\_\_

Engineer: \_\_\_\_\_

Date Submitted: \_\_\_\_\_

Prepared By: \_\_\_\_\_



**Precision Plumbing Products**

Division of JL Industries, Inc.

802 SE 199th Ave  
 Portland, Oregon 97233

T (503) 256-4010

F (503) 253-8165

www.pppinc.net



Rev 11/21